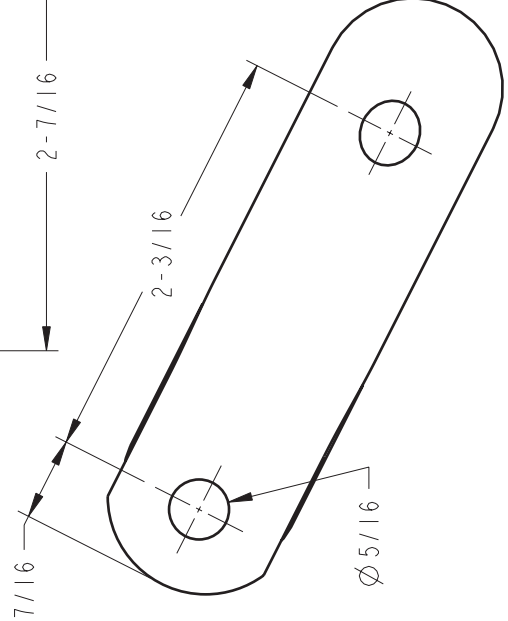
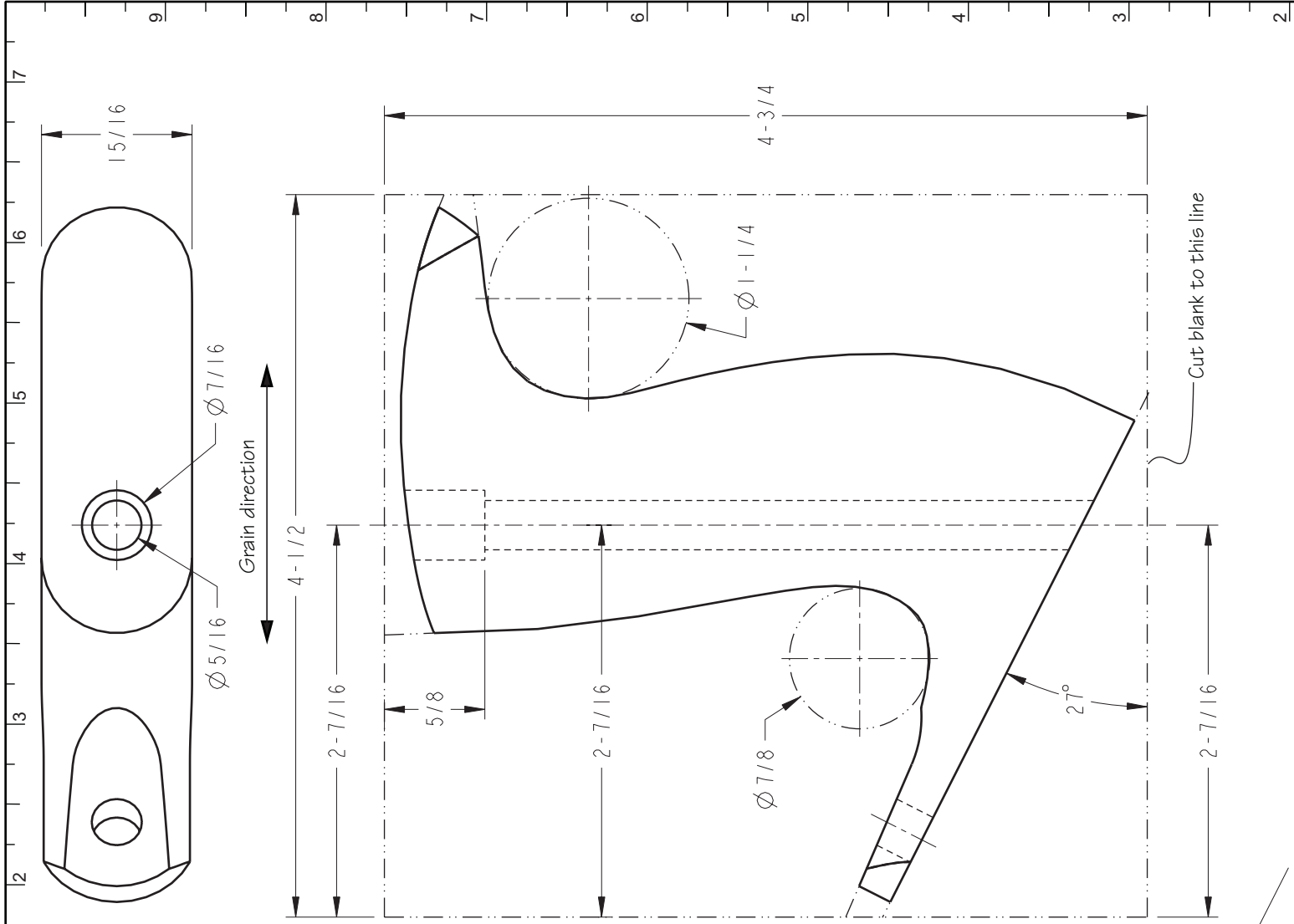


Note:

This is a typical tote for Stanley planes from the #5, up; however, Stanley totes vary from type to type. You should measure your existing tote or plane and adjust hole diameters and locations accordingly.



Lee Valley TOOLS LTD.

Stanley #5 and Up Plane Tote

Lee Valley TOOLS LTD.
1090 Morrison Drive 814 Proctor Avenue
Ottawa, Ontario Ogdensburg, New York
K2H 1C2 Canada 13669-2205 USA

PLN-045 Rev. 4
Sheet: 1 of 1
Scale: 1:1
Units: Inches

Tote Template for Stanley #5 and Up Planes

Instructions

This template can be used to make a replacement handle for Stanley bench planes, sizes #5 and up, as well as planes that are essentially reproductions of those planes.

It should be noted that Stanley planes have been manufactured for many years and there are small differences from type to type. The template is for a typical handle; however, it is best to measure the existing handle and adjust the template accordingly, particularly with regard to the relative sizes and locations of the mounting details.

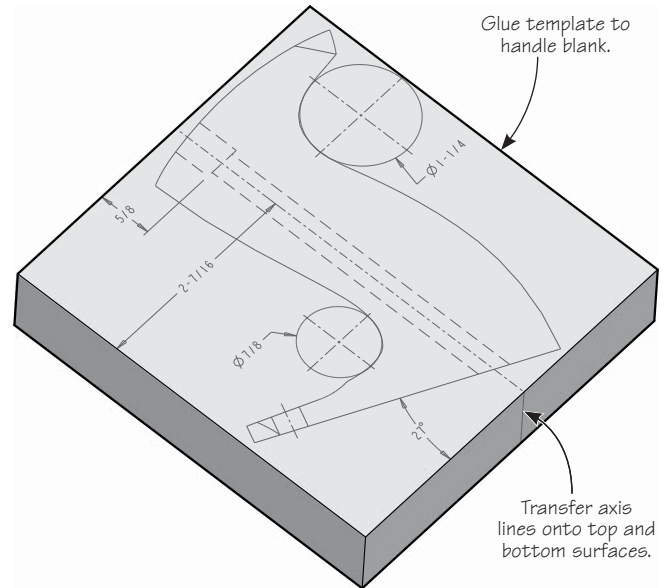
The shape shown is that used on the standard production planes. Providing the critical dimensions (i.e., handle rod hole and associated mortises) are maintained, the outer shape can be modified to suit the user. The template has a $\frac{1}{4}$ " scale printed along both edges of the sheet. These should be checked against an accurate rule to ensure that the template is at full scale before it is used. There are many reasons that a printed template may be off scale, including printer accuracy and humidity (like wood, paper moves with moisture content). In most cases, scale the output from the printer, or use a scaling photocopier to make any necessary adjustments. Also, **do not** print the template until you are ready to use it.

Start by cutting a blank to slightly larger than the dimensions shown on the template ($4\frac{13}{16}$ " \times $4\frac{9}{16}$ "). Note the correct grain direction. The thickness shown is that of a stock handle, but feel free to make any adjustments to suit your grip.

Cut out the template along the outer box lines and paste it to the handle blank. Spray adhesive is suitable for this. Avoid using white or carpenter's glues, as their moisture content will deform the template.

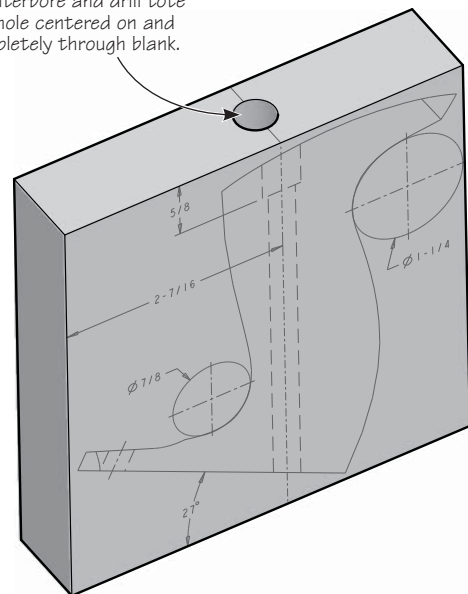
Trim the blank to match the outer template.

Transfer the handle rod hole axis onto the top and bottom edges of the blank and mark the center point.



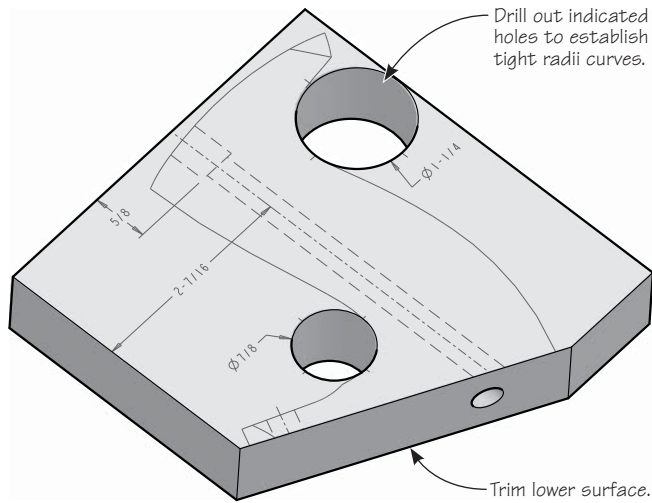
Bore out the handle rod hole. Long narrow holes can sometimes be a problem to keep aligned. It may be easier to bore halfway through from either end of the blank, providing the blank is perfectly parallel and carefully aligned in the drill press.

Counterbore and drill tote rod hole centered on and completely through blank.



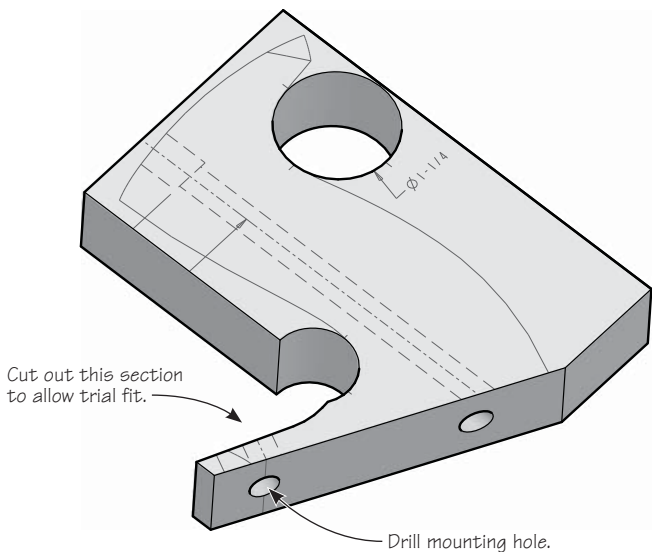
Bore out the two holes that form the tightly curved parts of the handle contour.

Cut the bottom surface at the indicated 27° line.



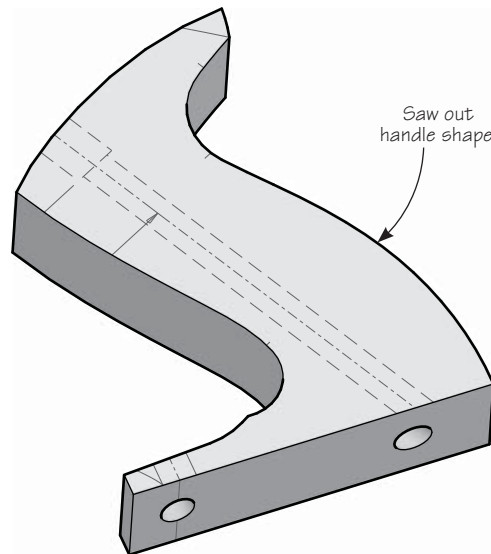
Transfer the center of the 5/16" hole onto the bottom surface and drill the hole centered on the blank.

Partially cut out the front section of the tote, as shown below. At this point, it should be possible to do a trial fit to the plane to check that the mounting details are correct. Any errors are easier to correct while the blank still has flat reference surfaces. Also, if the error is not correctable, the minimum amount of work has been wasted.



Trim the workpiece to the top, front and back contours.

Depending on the final shaping method, it may be worthwhile to cut the contours slightly oversize.



Final shaping can be done with a combination of round-over router bits, rasps, carving tools, sandpaper, etc. Proceed carefully, testing the grip often to ensure a comfortable handle. Sand the final shape smooth and finish as desired.

